

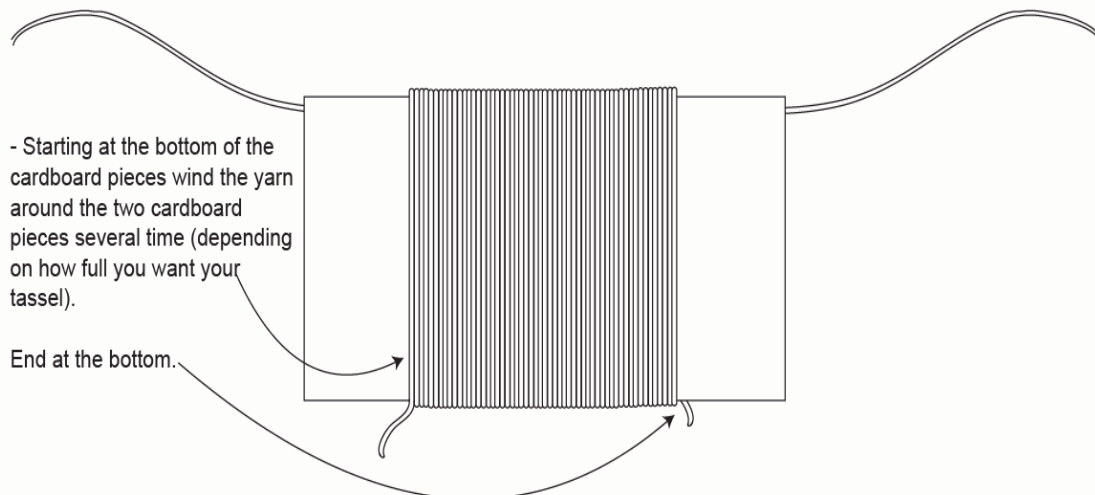
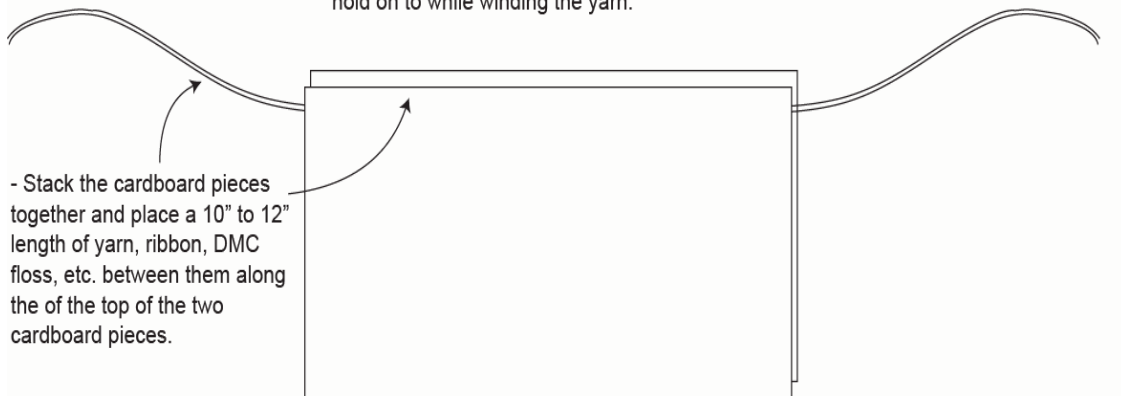
How to Make Tassels

Sabine de Rouen

- Tassels can be made any type of yarn, string, DMC floss.
- They can be made of a blend materials and in multiple colors.
- They can be decorated with beads, charms, tassels, trim, etc.
- Tassels are wonderful to decorate clothes, belts, pavilions, presents, pouches, baskets, banners, bookmarks, etc.

For a 3" tassel cut two 3" x 5" pieces of cardboard.
For a 4" tassel cut two 4" x 5" pieces of cardboard.
For a 5" tassel cut two 5" x 5" pieces of cardboard.
etc....

The cardboard does not have to be 5" wide exactly but it should be long enough to have something to hold on to while winding the yarn.



- Pull the 10" to 12" ribbon or yarn piece up and around gathered yarn.

- Push the strands toward the center of the cardboard.

- Tie the top strand very tight around the top.

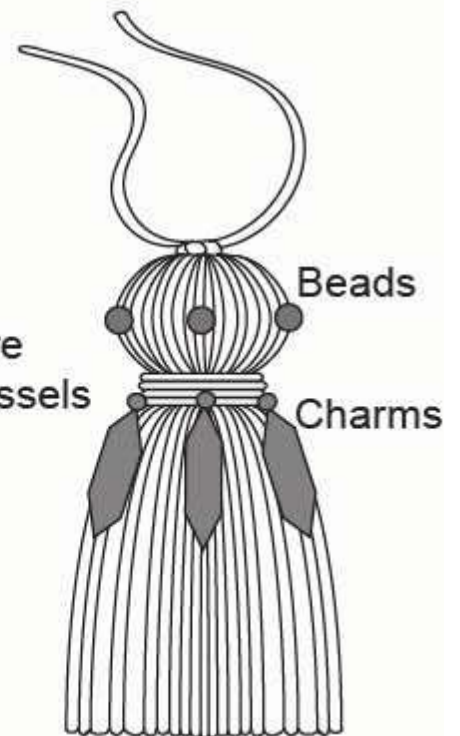
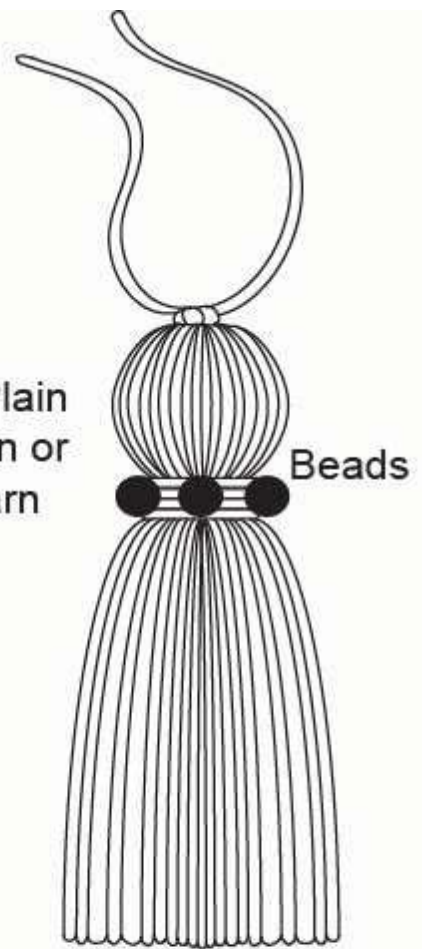
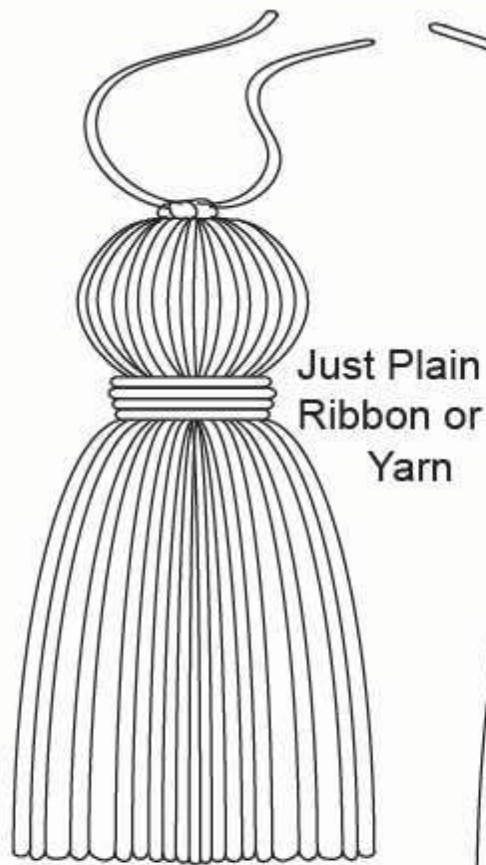
- Slip scissors between the two cardboard pieces and cut along bottom edge and remove cardboard.

- About 1" from the top wrap the strands several times with a piece of yarn.

- This would be a good time to add decorative beads, charms, or smaller tassels by slipping them onto the wrapping yarn.

- Secure the ends with a knot and trim ends.

Just a few ideas
for decorating
your tassels.



Questions? Contact Sabine de Rouen at Sabine@ParagonKeep.org